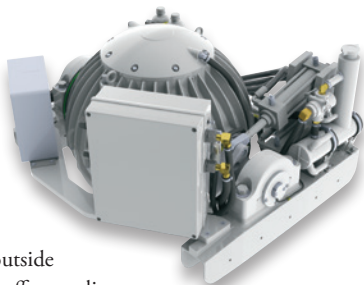


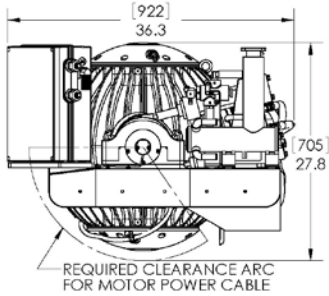
**The Seakeeper M8000** is designed to achieve 60 to 80% roll reduction on boats up to 35 tons (typically up to 65 ft). Two units can be fitted for larger boats. The M8000 requires only modest electrical power, has no outside appendages, and can be installed off centerline, if necessary. Its computerized control and vacuum technology make it the first truly practical, and only modern, anti-roll gyro.



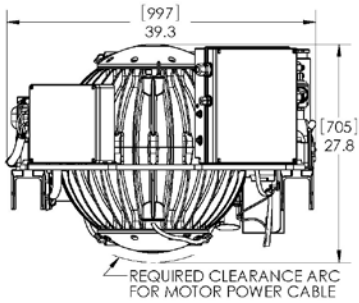
## S P E C I F I C A T I O N S

<b>Rated Speed</b>	8,000 RPM
<b>Angular Momentum at Rated RPM</b>	8,000 N-M-S
<b>Anti-Rolling Torque at Rated RPM</b>	17,143 N-M
<b>Spool-up Time to Rated RPM</b>	35 Minutes
<b>Spool-up Time to Stabilization</b>	20 Minutes (70% RPM)
<b>Spool-up Power</b>	
AC Motor	3000 Watts
DC Control	240 Watts
<b>Operating Power</b>	
AC Motor (sea state dependent):	1500-2000 Watts
DC Control:	240 Watts
AC Input Voltage:	208-230VAC (+/- 10%), 50/60Hz Single Phase
DC Input Voltage:	24VDC @ 10 Amps
<b>Sea Water Supply to Heat Exchanger</b>	15.1 liters/min (4 gal/min)
<b>Maximum Ambient Air Temperature</b>	60 Deg C (122 Deg F)
<b>Weight</b>	554Kg (1220 Lbs)
<b>Gyro Dimensions</b>	Length x Width x Height 0.922 L x 0.997 W x 0.705 H (meters) 36.26 L x 39.25 W x 27.76 H (inches)
<b>Noise Output</b>	Steady state noise measured in the factory at a 1 meter distance measures 68-70 dBC.

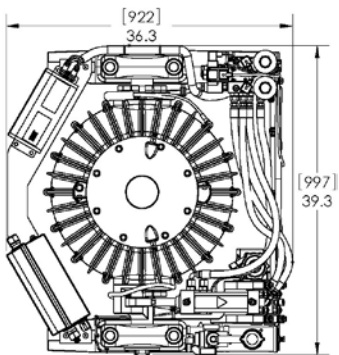
PORT VIEW



FRONT VIEW



TOP VIEW



**SEAKEEPER®**

Seakeeper Inc. 44425 Pecan Court, Suite 151, California, MD 20619 U.S.A.

Tel: 410.326.1590 Fax: 410.326.1199 seakeeper.com